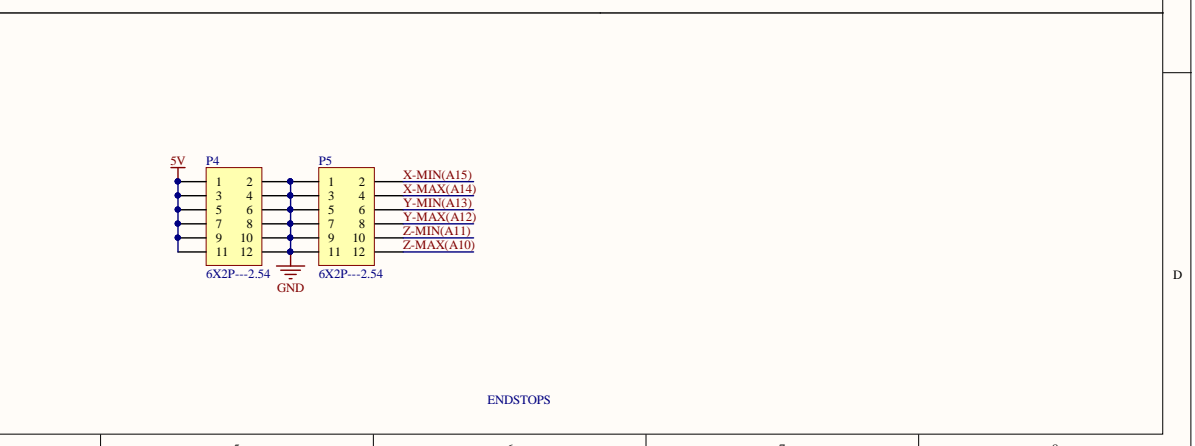
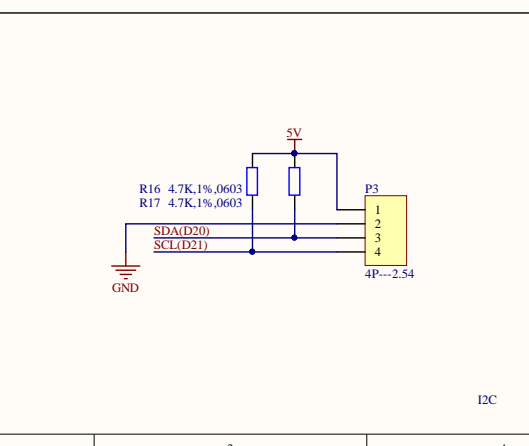
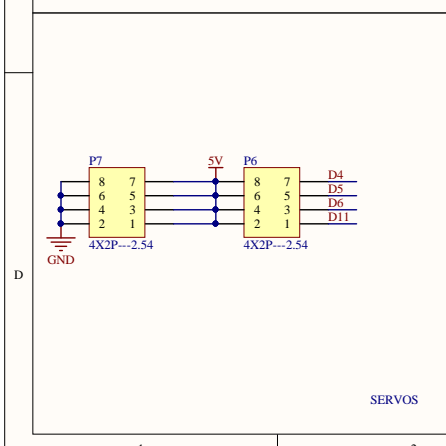
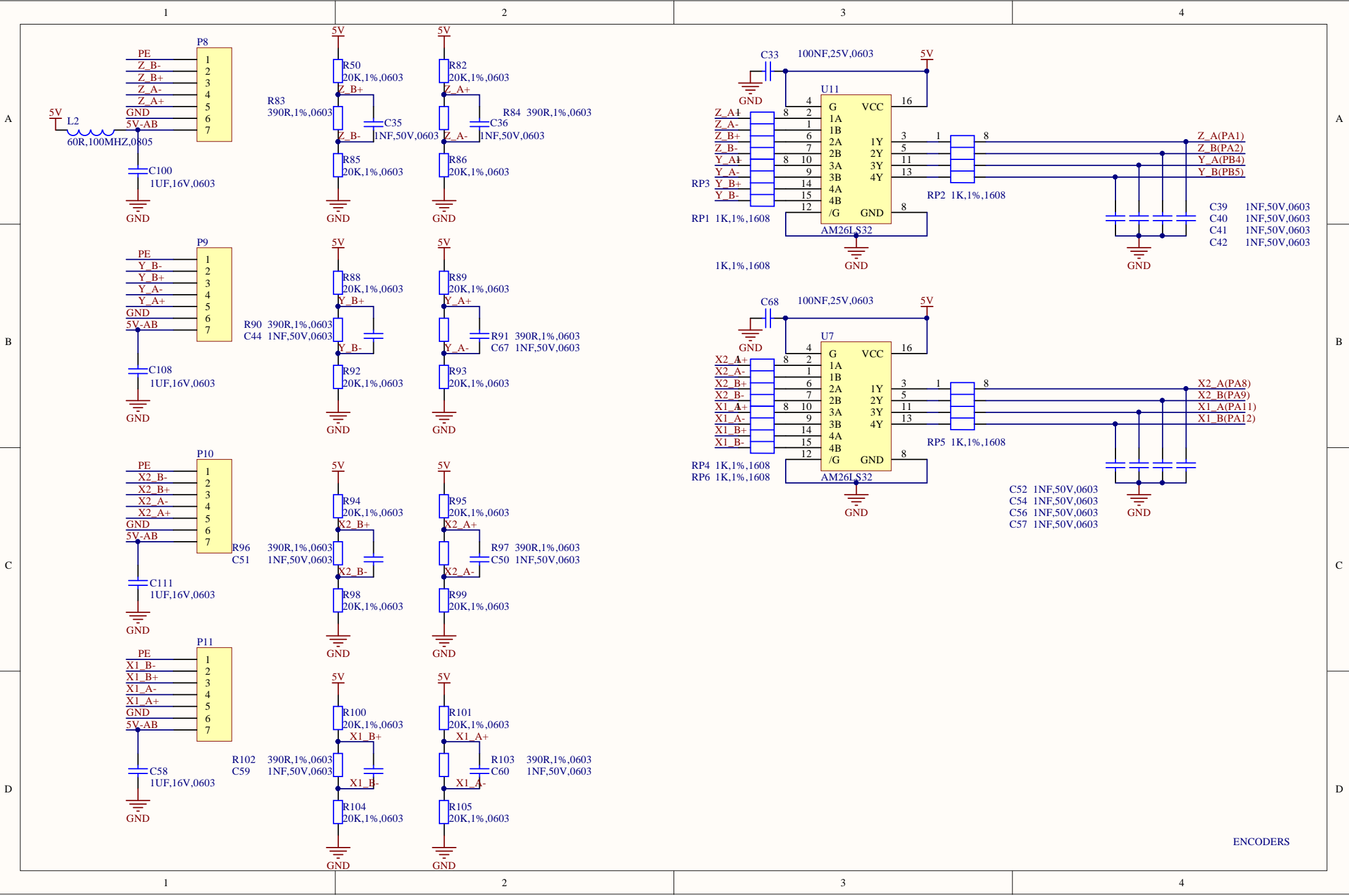
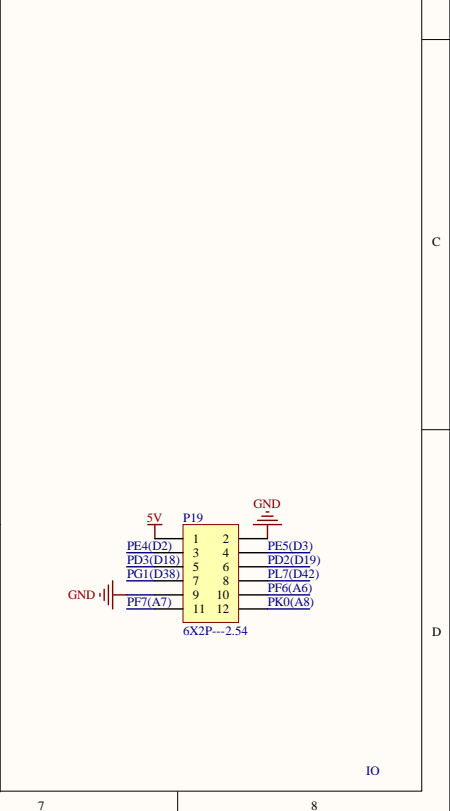
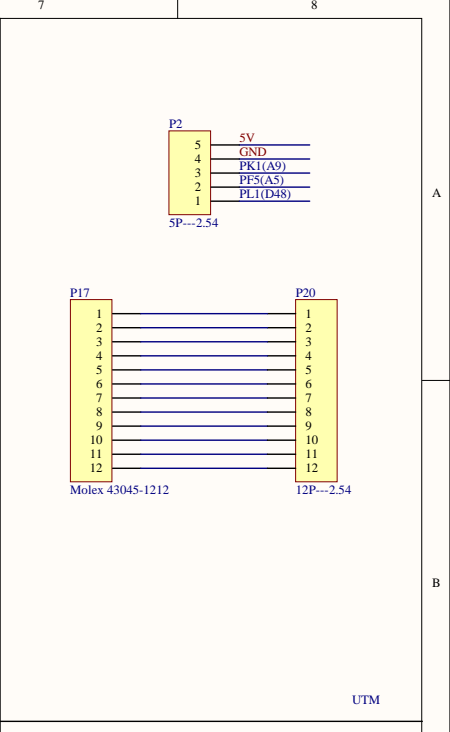
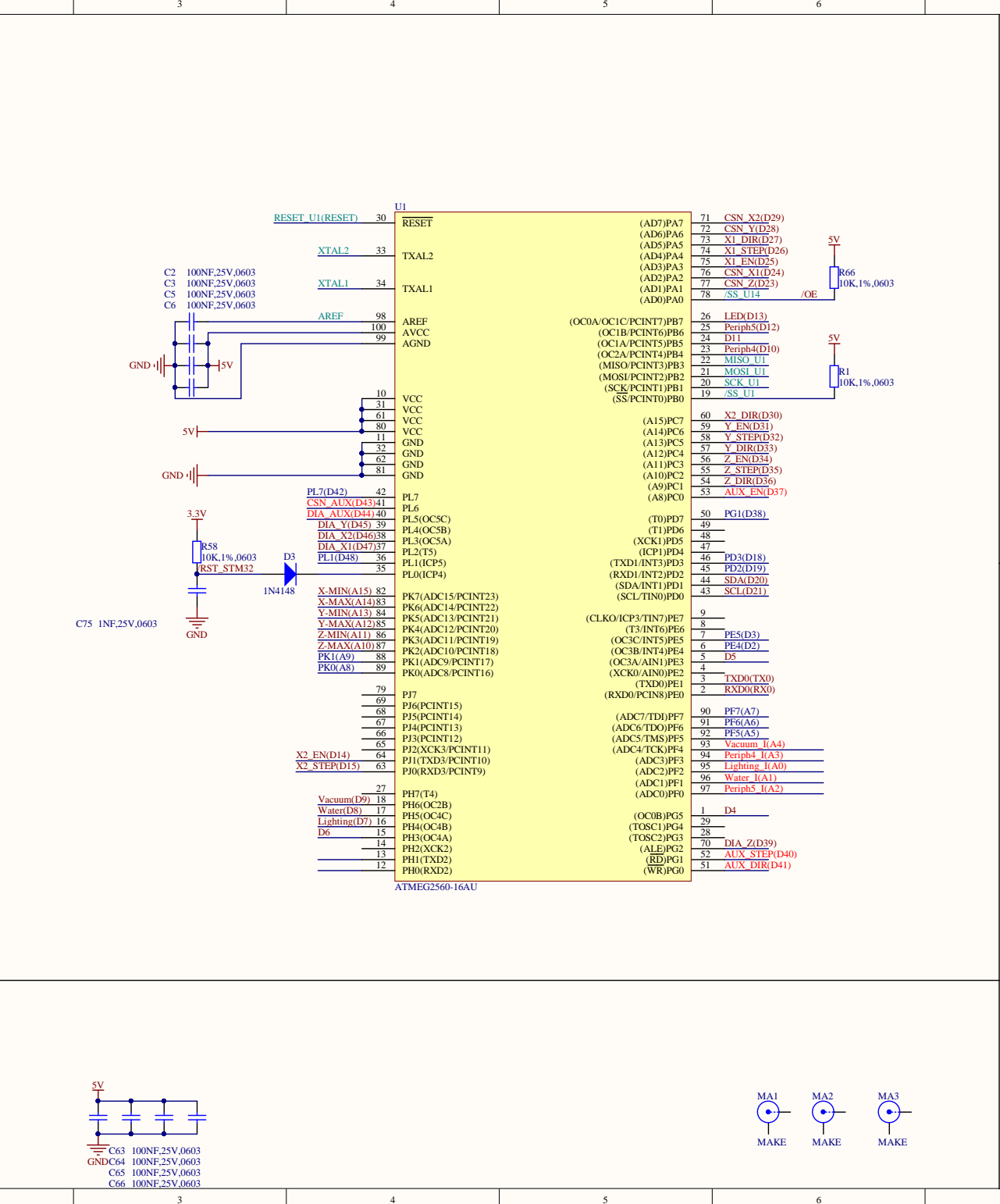
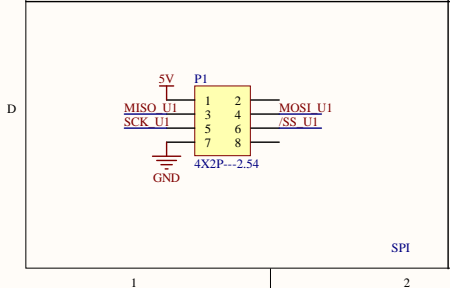
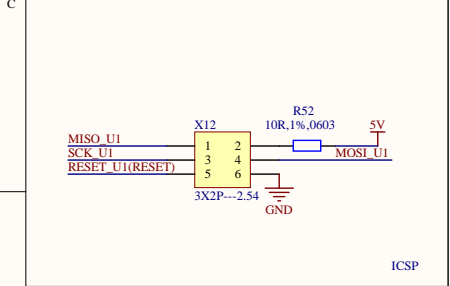
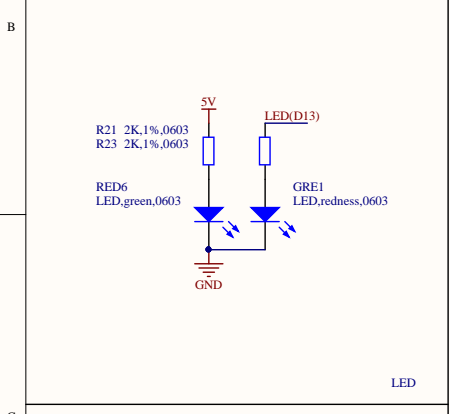
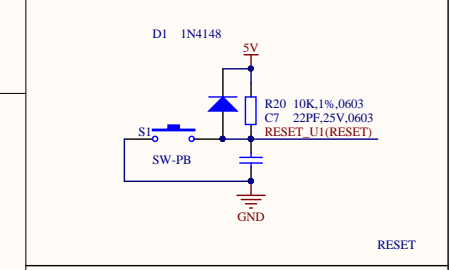
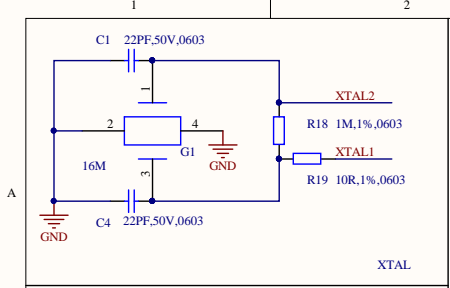


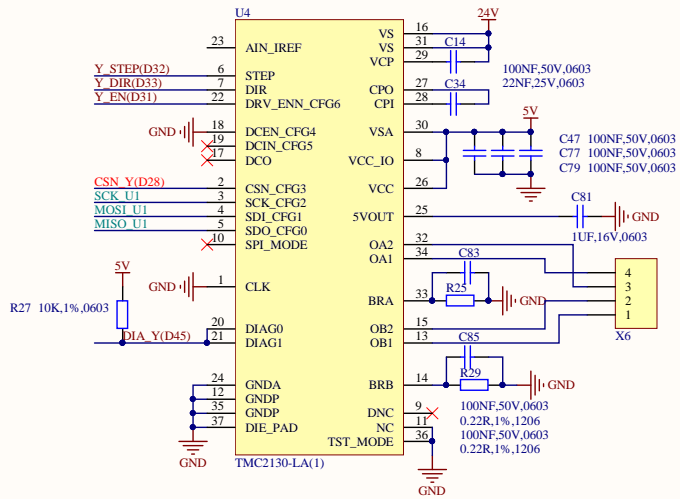
MOSFETS



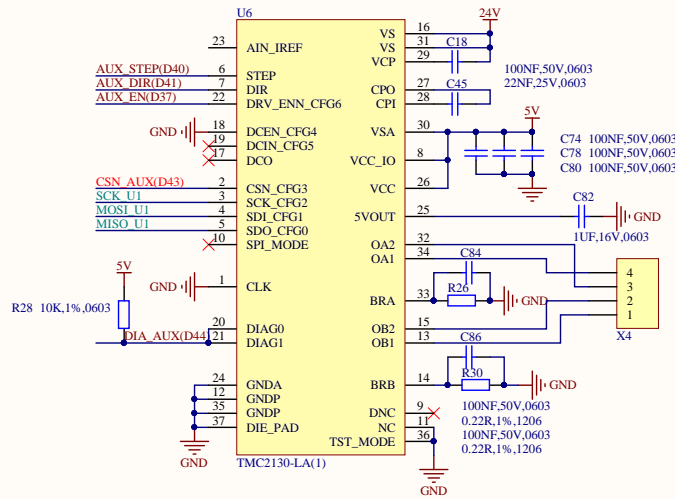


ENCODERS

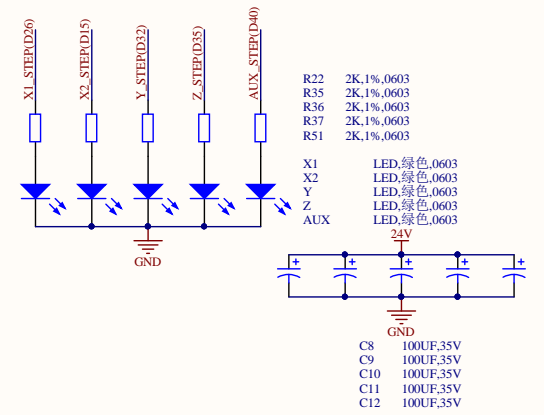




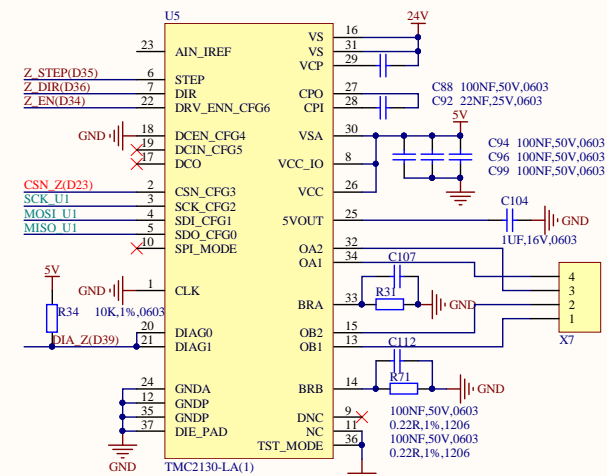
Y STEPPER DRIVE



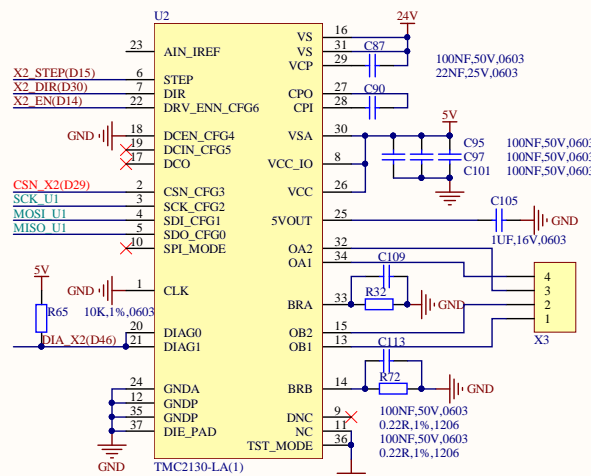
AUX STEPPER DRIVE



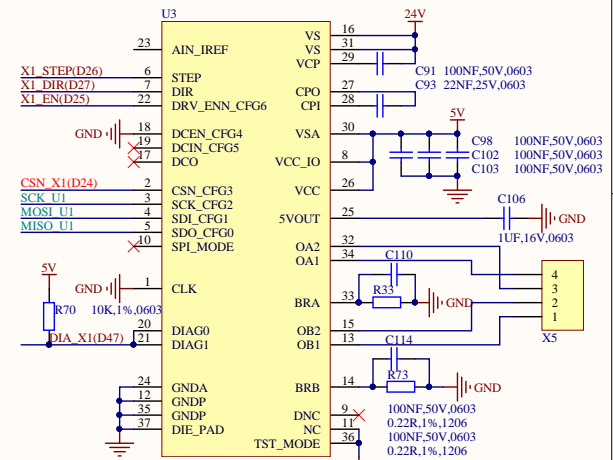
STEPPER DRIVE PWR FILTER



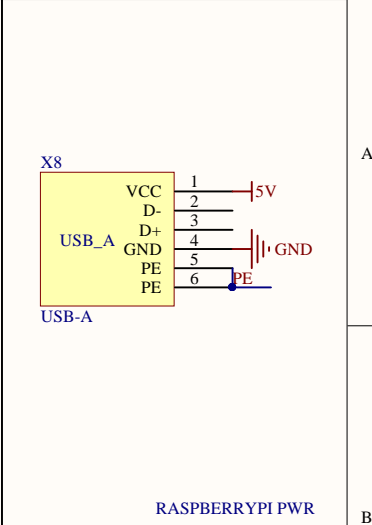
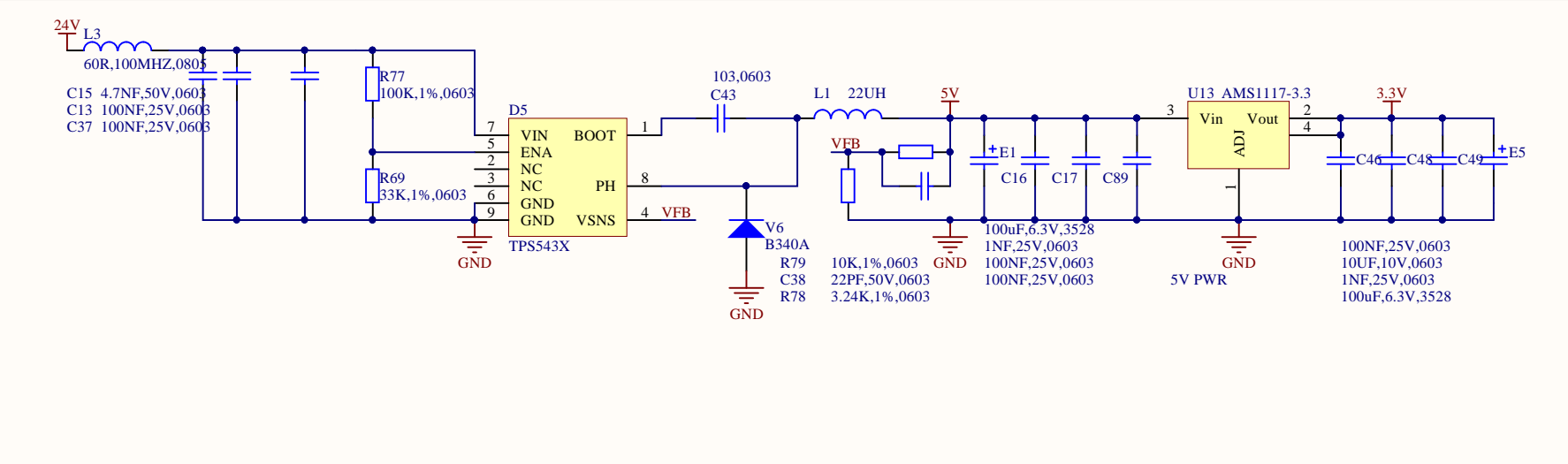
Z STEPPER DRIVE



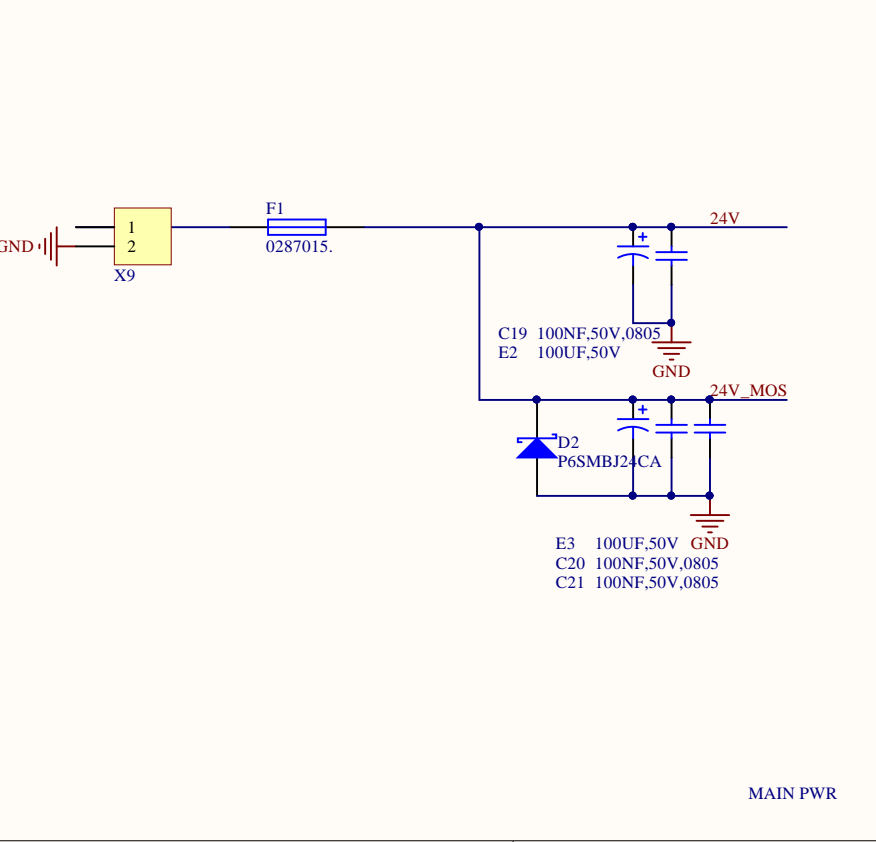
X2 STEPPER DRIVE



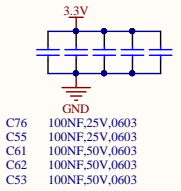
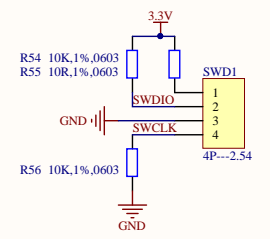
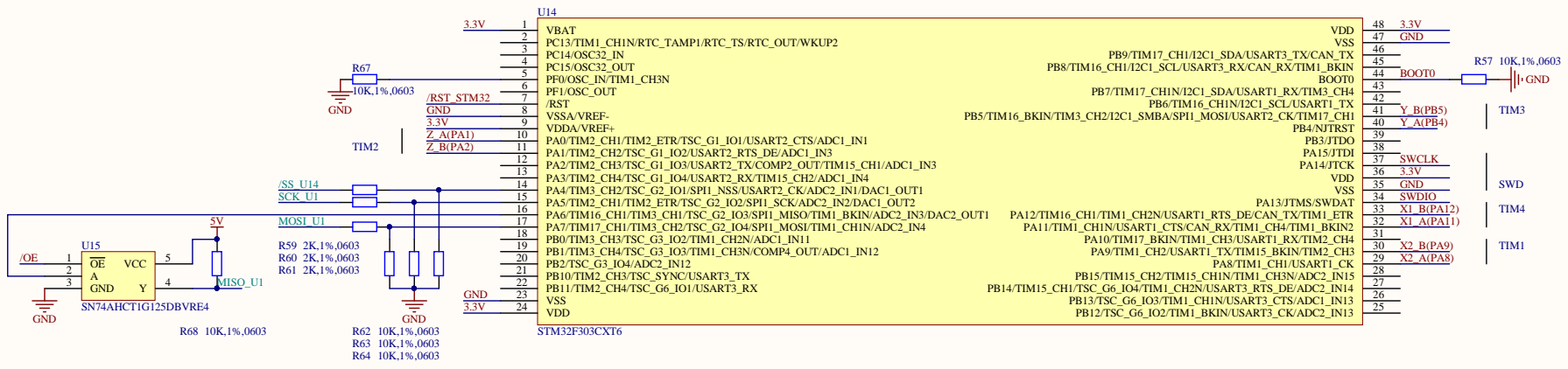
X1 STEPPER DRIVE



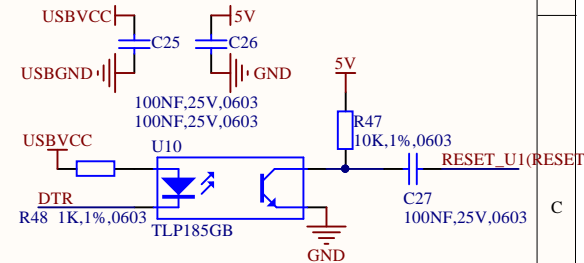
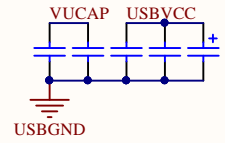
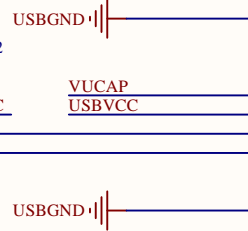
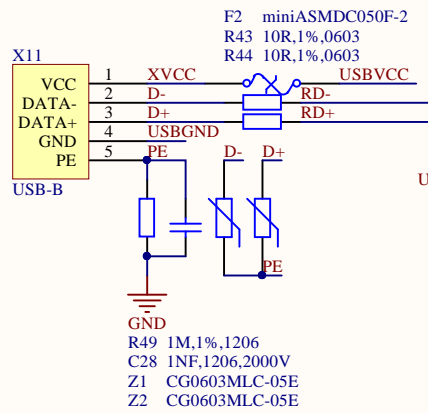
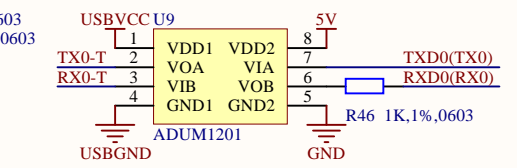
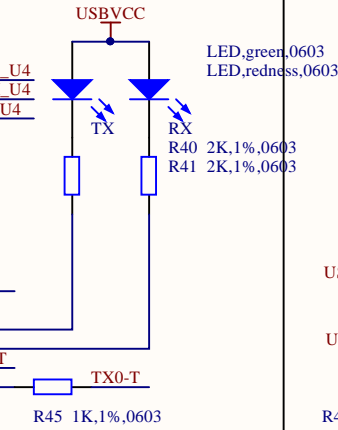
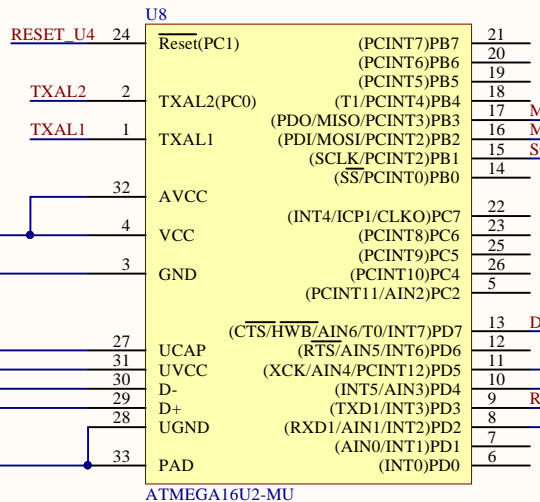
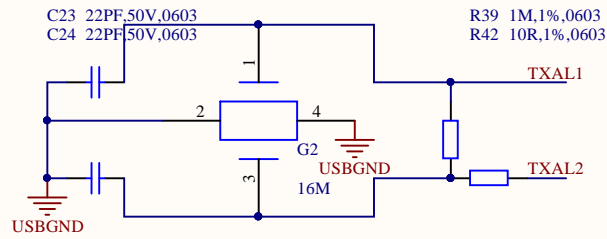
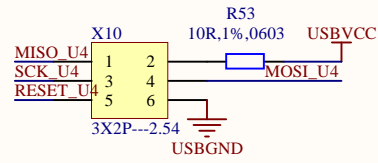
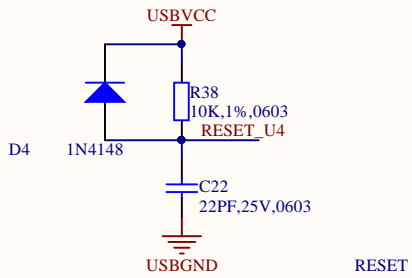
RASPBERRYPI PWR



MAIN PWR



STM32F303



- C29 100NF,25V,0603
- C30 100NF,25V,0603
- C31 100NF,25V,0603
- C12210UF,10V,0603
- E4 100uF,6.3V,3528

USB

USB ISOLATOR