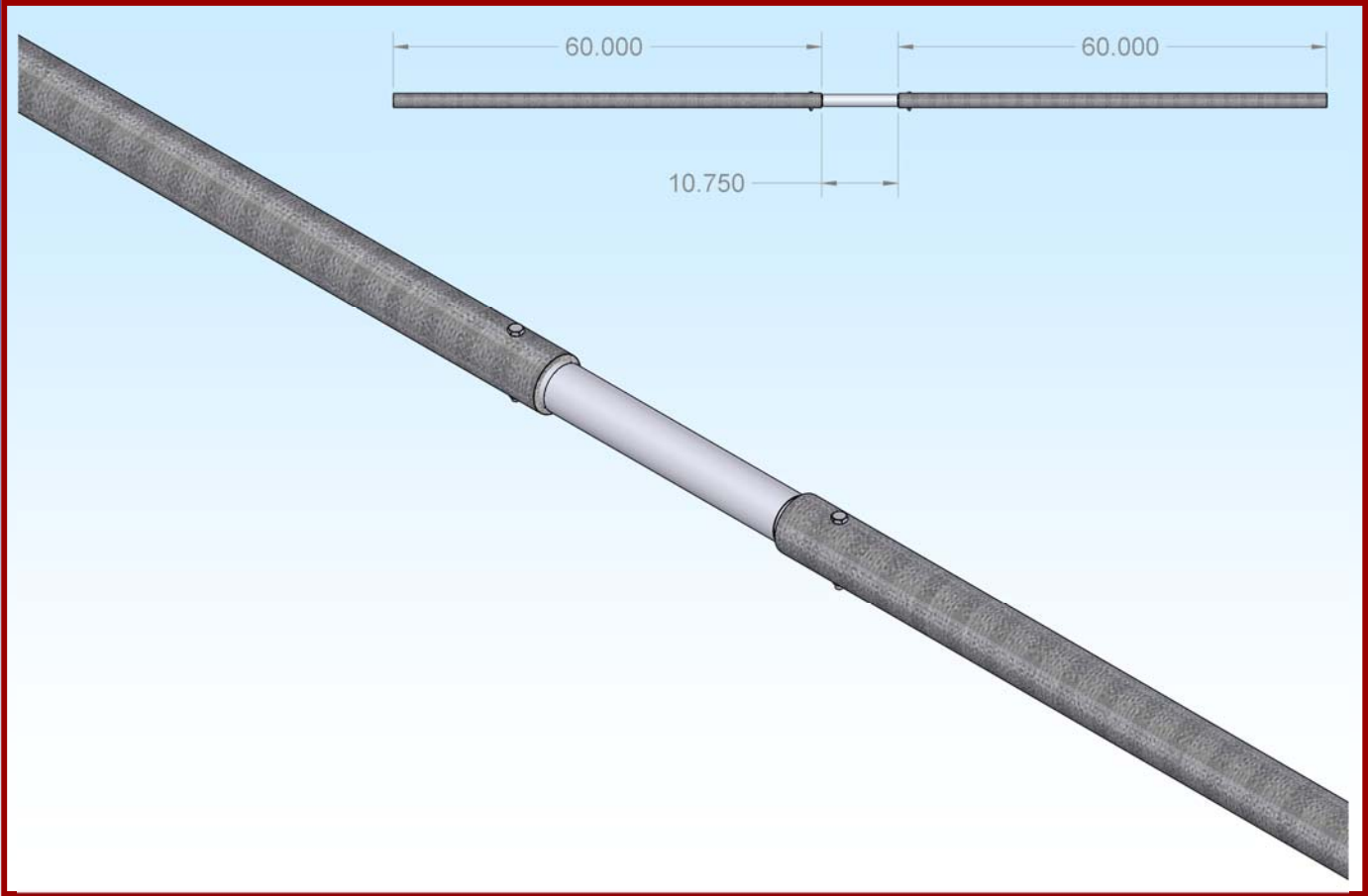




M2 Antenna Systems, Inc. Model No: FGCB60



FEATURES:

M2 Antenna Systems fiber glass cross boom has been developed to work well with the Yeasu G-5500 and G-550. It allows solid clamping to the cross boom without crushing thin wall Fiber Glass tubes. It consists of a solid aluminum center rod and 2.0 x.250 wall Fiber Glass tube on each side of the center rod. The solid rod and Thick wall Fiber Glass tube gives the ability to secure large systems or arrays for years of slip free service.

PARTS & HARDWARE

DESCRIPTION	QTY.
FIBER GLASS TUBE, 2.0 X .250 X 60"	2
CENTER ROD, 1 5/8 X 17.75	1
BOLT, 1/4-20 X 2.5 SS.....	2
LOCK NUT, 1/4-20 SS	2