
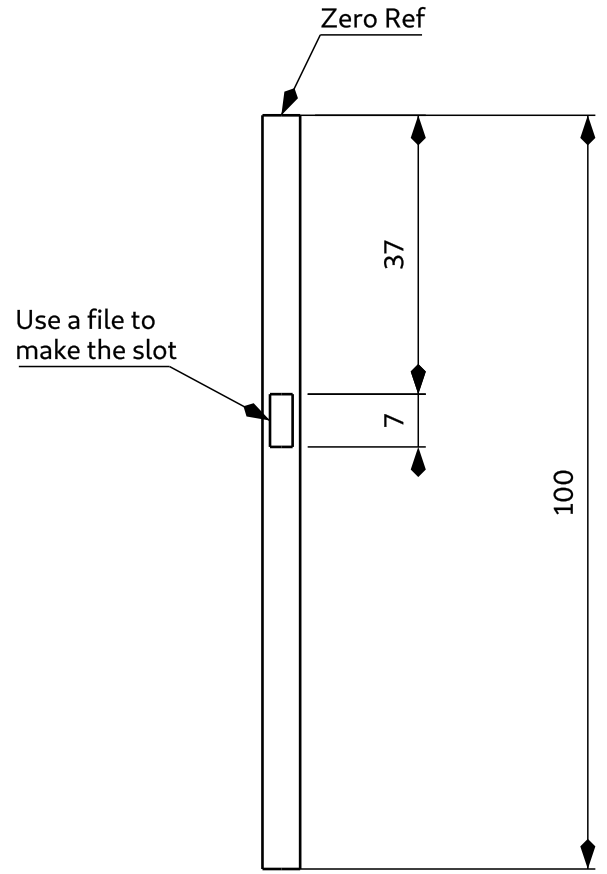
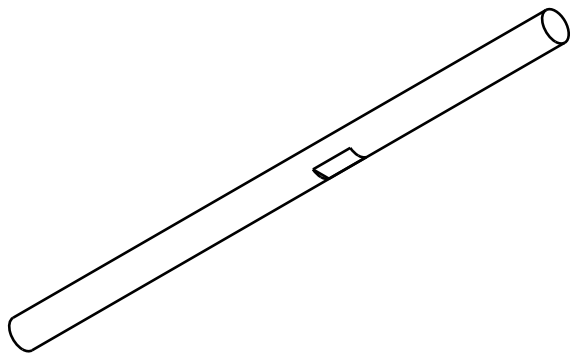



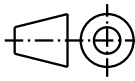
F E D C B A

4
3
2
1

Ø5 Typical Diameter of M5 Threaded Rod is 4.9mm

Note:
Material: M5 Threaded rod A2 stainless steel (304)

DESIGNED BY: Azisi		C1060-1			
DATE: 11/06/2018		Shaft For Worm Gear			
SIZE A4		UNLESS OTHERWISE SPECIFIED TOLERANCES		DIMENSIONS ARE IN MILLIMETERS DO NOT SCALE	
SCALE 1:1		WEIGHT (kg) N/A	DIN ISO 2768- mk		DEBURR AND BREAK SHARP EDGES ±0.2
		ROUGHNESS -	SHEET 1/1	REV A	MATERIAL Note

This drawing is Licensed under the CERN OHLv1.2.

F E D C B A