

F E D C B A

4

3

2

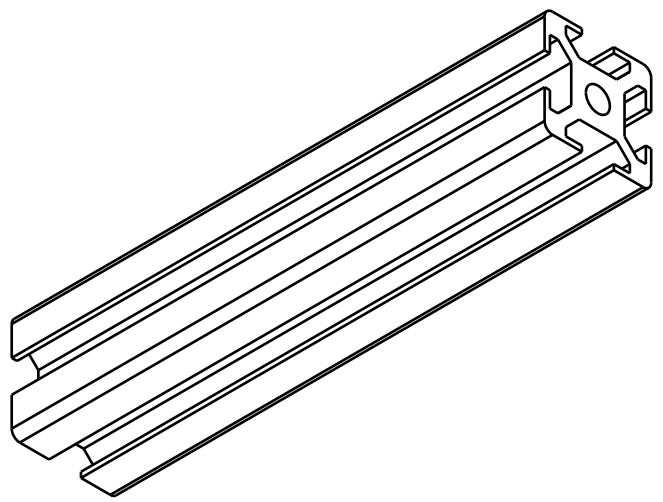
1

4

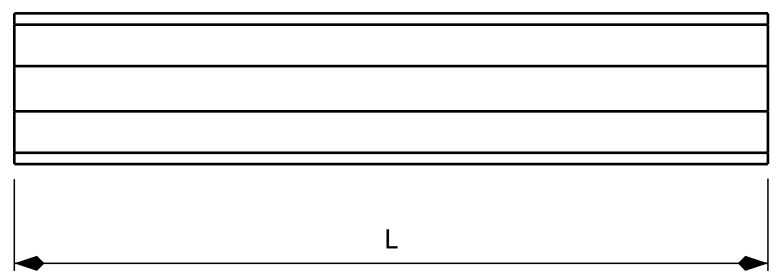
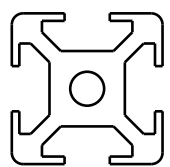
3

2

1



VARIANT	L
-1	100
-5	140



Notes:
 Aluminum Profile 20x20 B-type slot 6
 Profile 20x20, 4 slots with a width of 6mm, depth 5,5mm
 Core 5,5 mm for threading M6
 Source Site: motedis.com

DESIGNED BY: Azisi		C1050			
DATE: 16/08/2018		Aluminum Profile for Rotator Chassis			
SIZE A4		UNLESS OTHERWISE SPECIFIED TOLERANCES		DIMENSIONS ARE IN MILLIMETERS DO NOT SCALE	
SCALE 1:1		DIN ISO 2768- mk		DEBURR AND BREAK SHARP EDGES ±0.2	
WEIGHT (kg) -	ROUGHNESS -		SHEET 1/1	REV A	MATERIAL NOTES

This drawing is Licensed under the CERN OHLv1.2.

F E D