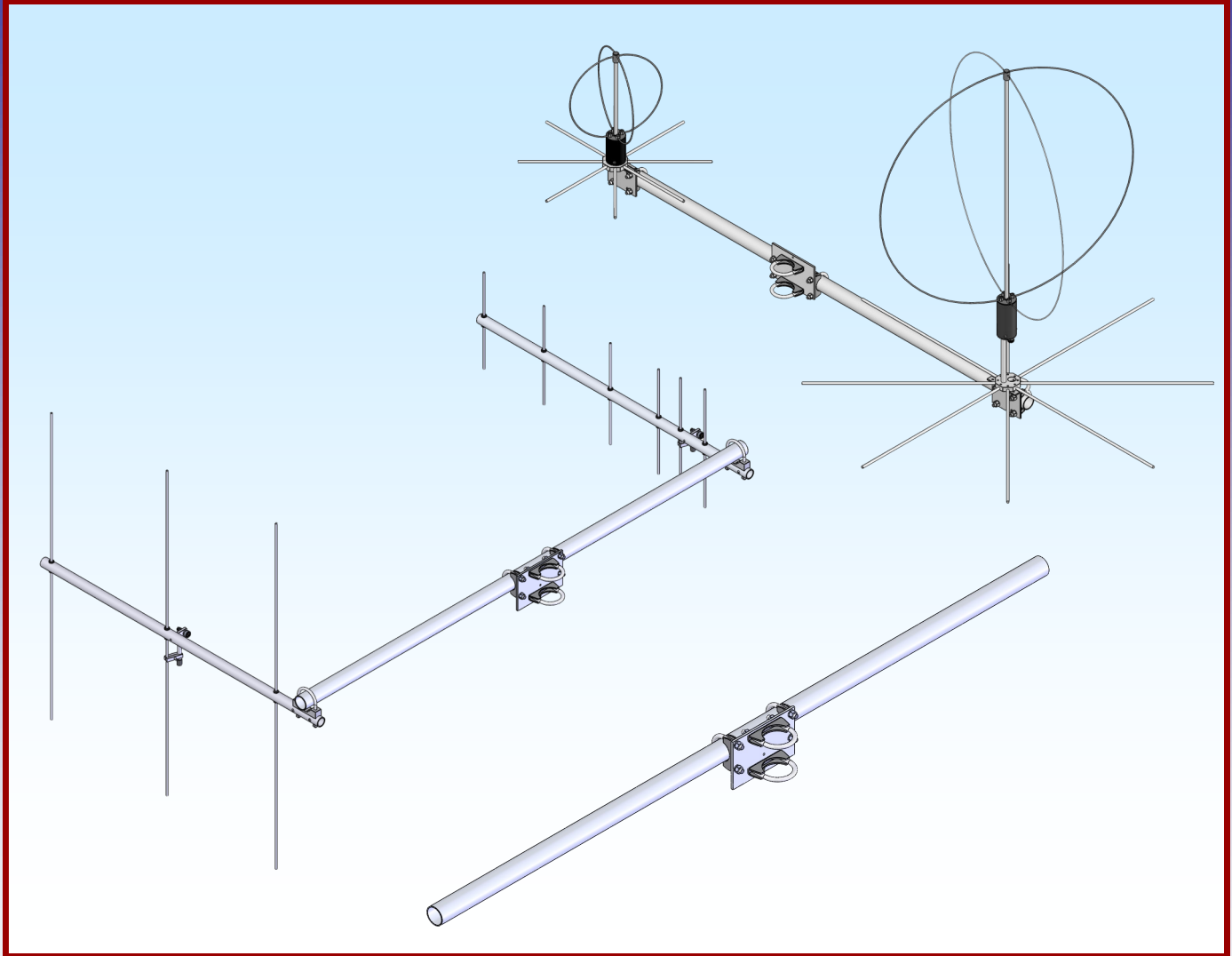




M2 Antenna Systems, Inc.

Model No: FGCBVHF-UHF59



PARTS & HARDWARE

DESCRIPTION	QTY
ALUMINUM TUBE, 1.5" X .065 X 59"	1
BOOM TO MAST PLATE, 4" X 3/16" X 6" (M2APT0022)	1
HARDWARE:	
U-BOLT AND CRADLE, 2"	2
U-BOLT AND CRADLE, 1-1/2"	2
LOCKWASHER, 5/16, SS	8
NUT, 5/16-18, SS	8